

EE/F-S 2.0 V2

102 SSC
JAPAN MADE



Interior power cable for audio exclusive use

SPECIFICATIONS

CONDUCTOR: 102SSC

WIRE DIAMETER: 2.0mm single wire

STRUCTURE: 3-cores, cab tire structure

SHIELDING: Polyethylene

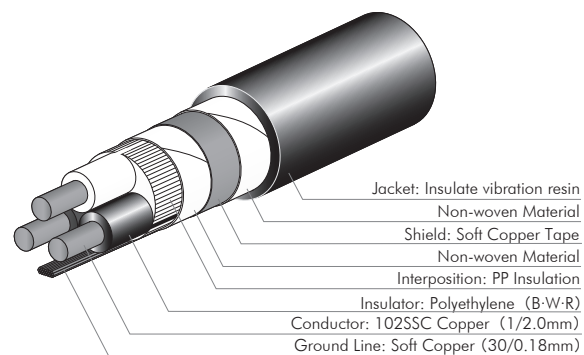
FILLING LAYER: Unwoven cloth tape on polypropylene layer

SHEATH: Halogen-free sheath for audio exclusive use

SHIELDING: Copper foil tape (containing drain wire)

CABLE DIAMETER: 12.5mm

RATINGS: 600V / 20A



FEATURES

- 2.0mm large capacity 102SSC wire applicable for 600V/20A
- Enhanced bass by halogen-free sheath for audio exclusive use
- Perfect shielding from the outer noise with copper foil shielding
- Over 30dB superior noise reduction rate compared to ordinary parallel power cables
- Improvement of the sound stage, sound speed, resolution, etc.
- EE/F-S 2.6 V2 available on request